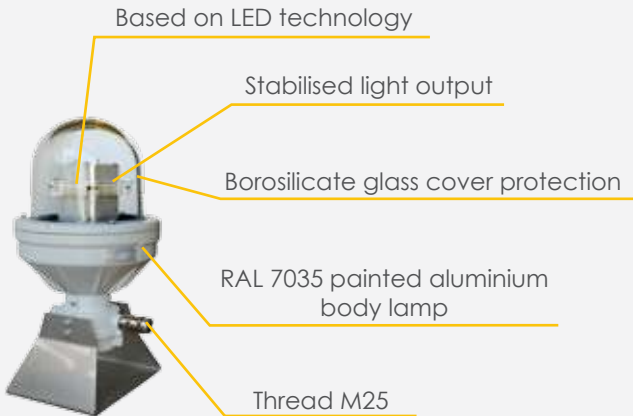


# HELIDECK LIGHTS

## HB - HELIDECK BEACON HB-LXS-Ex230

### FEATURES



- **Morse code "H" White light**, night mode
- Long life time **>10 years** life expectancy
- **Low** consumption
- **Stabilised light** output
- **Lightweight**
- **Low wind** load factor
- **Alarm/remote status control**
- **Easy** to install
- **No RF-radiations**
- Light output **alignment device**
- **Adjustable intensity 3%, 10% and 100%** through external digital switch
- **ATEX execution:** Ex II 2GD Ex de IIC T4 Gb  
Ex tb IIIC T135°C Db IP66
- **IECEx execution:** Ex db e IIC T4 Gb  
Ex tb IIIC T135°C Db IP66

Patented Beacon: **Italy 273119**.

### CERTIFICATIONS



### COMPLIANCE



### FEATURES



### APPLICATIONS



# HELIDECK LIGHTS

## HB - HELIDECK BEACON TECHNICAL SPECIFICATIONS AND DRAWINGS

### OPTICAL FEATURES

- Horizontal beam radiation 360°
- PMMA lens
- Borosilicate glass protection

Elevation (E)	Luminous Intensity
10°	250cd
7°	750cd
4°	1700cd
2°½	2500cd
1°½	2500cd
0°	1700cd

-180°                      Azimuth                      +180°

### ELECTRICAL FEATURES

- Average power consumption 13W
- Power supply 230VAC - 50/60Hz only with Control Panel

### APPLY TO

- A helideck beacon should be provided at a helideck where:
  - long-range and clear visual guidance is considered necessary;
  - identification of the helideck is difficult due to surrounding lights.

### MECHANICAL FEATURES

- Anodised aluminium body with heat-sink for natural draft air cooling
- RAL7035 painted aluminium body lamp
- Borosilicate glass cover protection
- Silicon gasket
- Degree of protection IP66
- Operating temperature -52°C to +40°C/60°C
- Storage temp. range -52°C to +60°C
- Lamp unit weight: 15,5kg approx

### OPTION

- Power supply 24VDC

### CERTIFICATIONS

- ATEX certificate no.: INERIS 01ATEX0019X
- IECEx certificate no.: IECEx INE 15.0031X
- CE Marking

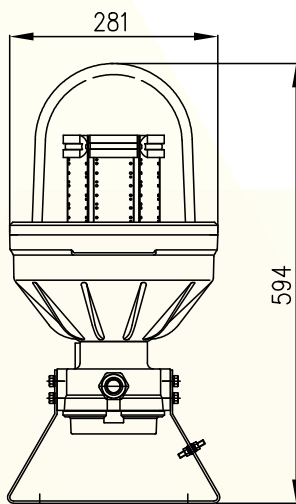
### COMPLIANCE

- ICAO, Annex 14, Vol. II - Heliports - par. 5.3
- ENAC: Regulation "Costruzione ed esercizio degli eliporti" Vol. II - Heliports, ed. I - par. 3.2
- ICAO Heliport Manual, ed. III - par. 5.2.3.2

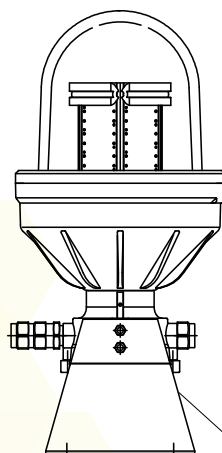
### PART NUMBER

**HB-LXS-Ex-8**

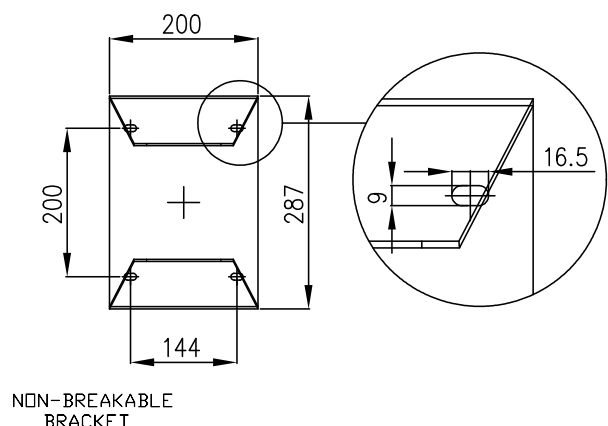
FRONT VIEW



SIDE VIEW



FIXING DETAILS



Drawings and photos are for informational purposes only and can change without notice.