

HELIPORT LIGHTS

PERIMETER LIGHT TLOF INSET TLOF-LXS-INSET-WRL

FEATURES

Based on LED technology

Tempered glass cover protection



Anodised aluminium body

Wireless power supply

- **Wireless power supply**
- **Wireless beacon control**
- **Steady burning GREEN light**
- Long life time **>10 years** life expectancy
- **Low** consumption
- **Stabilised** light output
- **Easy** to install
- **No RF-radiations**
- Low surface projection less than 1/2"

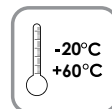
CERTIFICATIONS



COMPLIANCE



FEATURES



APPLICATIONS



HELIPORT LIGHTS

PERIMETER LIGHT TLOF INSET TECHNICAL SPECIFICATIONS AND DRAWINGS

OPTICAL FEATURES

- Horizontal beam radiation 360°
- PMMA and glass lens

Elevation (E)	Luminous Intensity
$20^\circ < E \leq 90^\circ$	3 cd
$13^\circ < E \leq 20^\circ$	8 cd
$10^\circ < E \leq 13^\circ$	15 cd
$5^\circ < E \leq 10^\circ$	30 cd
$2^\circ \leq E \leq 5^\circ$	15 cd

-180° Azimuth +180°

ELECTRICAL FEATURES

- Wireless power supply: 12/24/48 DC
- Power consumption: 7W
- LED feeded at constant current

OPTIONS

- If the products are used with an 8"- and/or 12"- diameter shallow bases, the adapter flange can be supplied by LUXSOLAR
- Power supply 110/230 VAC from control panel only
- Additional JB for interconnection

MECHANICAL FEATURES

- Anodised aluminium body
- Silicone gasket
- Degree of protection IP66
- Shallow base dimension: 5"
- Operating temperature: -20°C to +60°C
- Storage temperature: -25°C to +85°C
- Lamp unit weight: 2,3kg (without shallow base)

CERTIFICATIONS

- CE Marking
- ICAO

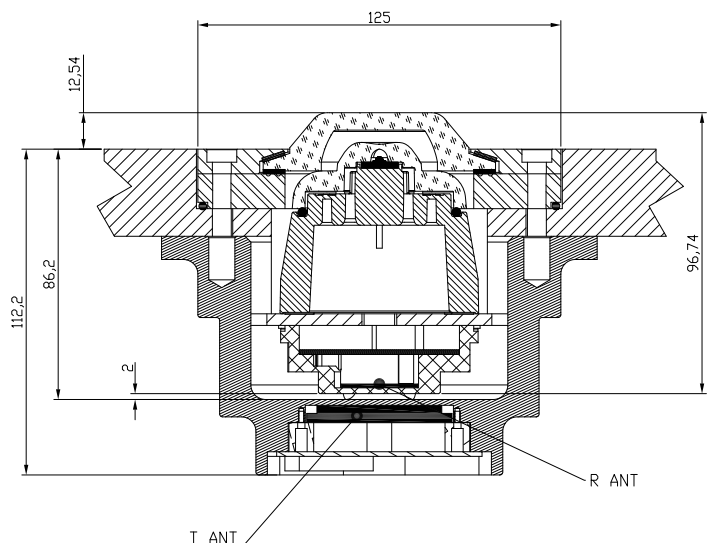
COMPLIANCE

- ENAC Regulation: "Costruzione ed esercizio degli eliporti", Ed. I - par. 3.8
- ICAO, Annex 14, Vol. II - Heliports - par. 5.3.9
- ICAO Heliport Manual, ed. III - par. 5.2.3.8

PART NUMBER

TLOF-LXS-INSET-WRL

SIDE VIEW



Drawings and photos are for informational purposes only and can change without notice.