

3nM RED LIGHT Ex NIGHT MODE



HAZARDOUS AREA



MARINE NAVIGATION AIDS

3nM RED LIGHT Ex NIGHT MODE TECHNICAL SPECIFICATIONS

OPTICAL FEATURES

- Based on LED technology
- 3nM (nautical mile) night mode, red flashing (Morse Letter "U")
- Horizontal beam radiation 360°
- Vertical beam spread >2,5°
- PMMA lens

MECHANICAL FEATURES

- Painted RAL 7035 aluminium body
- Borosilicate glass dome
- Degree of protection: IP66
- Operating temperature: -52°C to +60°C
- Lamp unit weight: 7kg
- ATEX marking:
II 2GD Ex de IIC T4 Gb, Ex tb IIIC T135°C Db
- IECEx marking:
Ex de IIC T4 Gb, Ex tb IIIC T135°C Db
- TRCU RU marking:
1 Ex db e IIC T6...T3 GbX,
Ex tb IIIC T135°C...T200°C Db X

ELECTRICAL FEATURES

- Power supply AC or DC or from Luxsolar Control Panel
- Average power consumption for night mode: 2W
- LED feeded at constant current

APPLY TO

- Oil&Gas platform
Use as subsidiary light located to mark the horizontal extremities of the structure excepting those mark with white lights as well as interconnecting bridges.

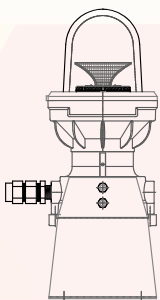
CERTIFICATIONS

- ATEX certificate
- IECEx certificate
- TRCU certificate
- CE marking

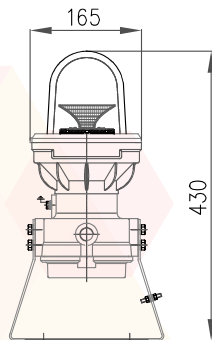
PART NUMBER

- Part number:
 - ▶ **MNL-LXS-3nM-Ex-230VAC**
 - ▶ **MNL-LXS-3nM-Ex-24VDC**

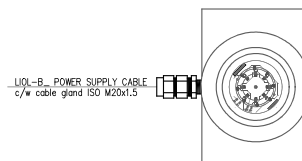
BEACON FRONT VIEW



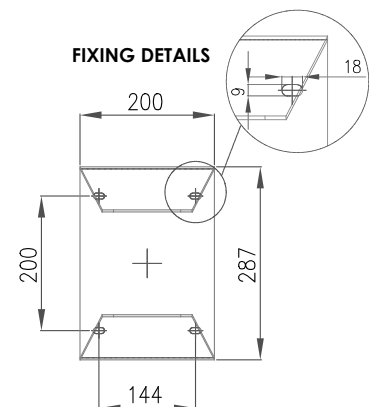
BEACON SIDE VIEW



BEACON TOP VIEW



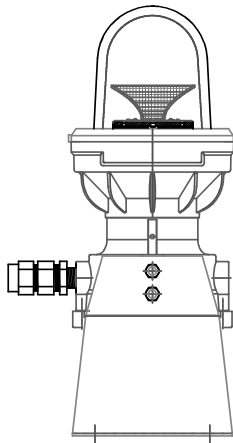
FIXING DETAILS



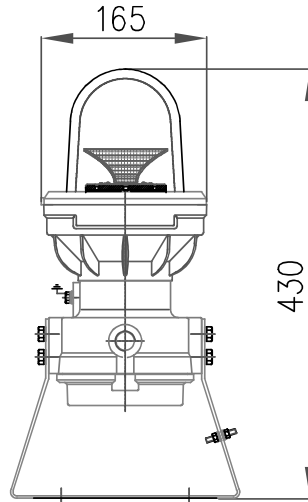
MARINE NAVIGATION AIDS

3nM WHITE LIGHT Ex NIGHT MODE TECHNICAL DRAWINGS

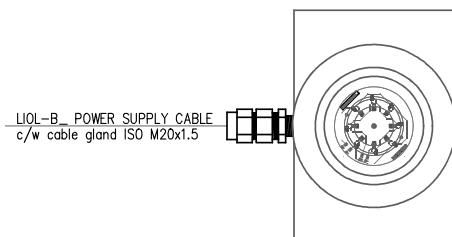
BEACON FRONT VIEW



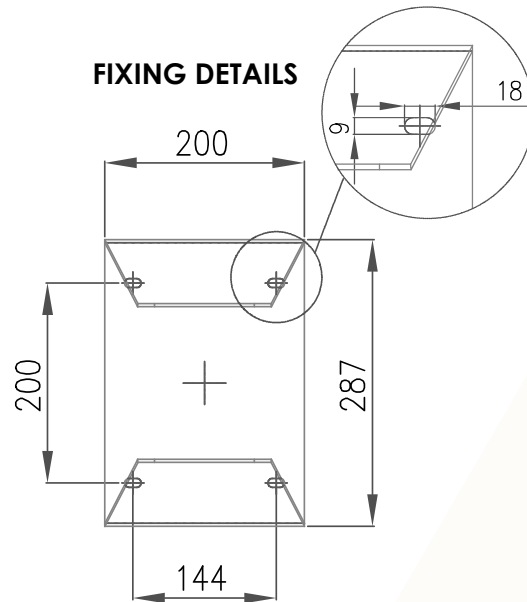
BEACON SIDE VIEW



BEACON TOP VIEW

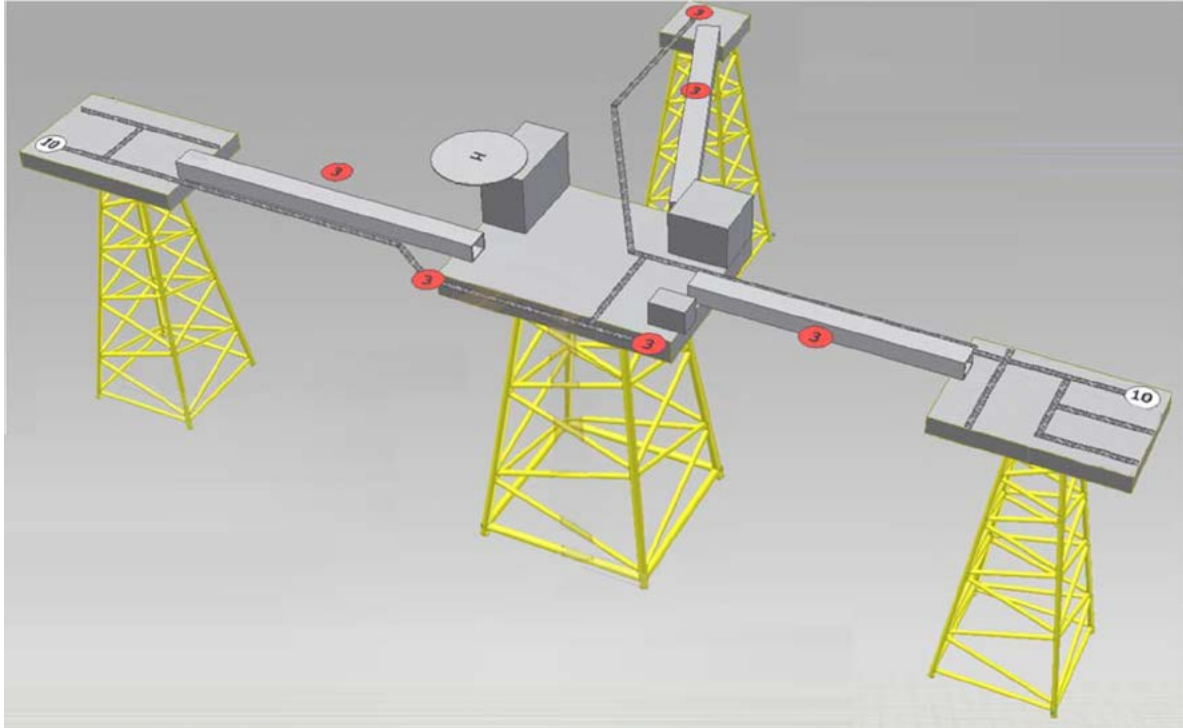


FIXING DETAILS



MARINE NAVIGATION AIDS

3nM WHITE LIGHT Ex NIGHT MODE



LEGEND

③ 3nM - Red

CERTIFICATIONS



FEATURES



TYPICAL APPLICATION

