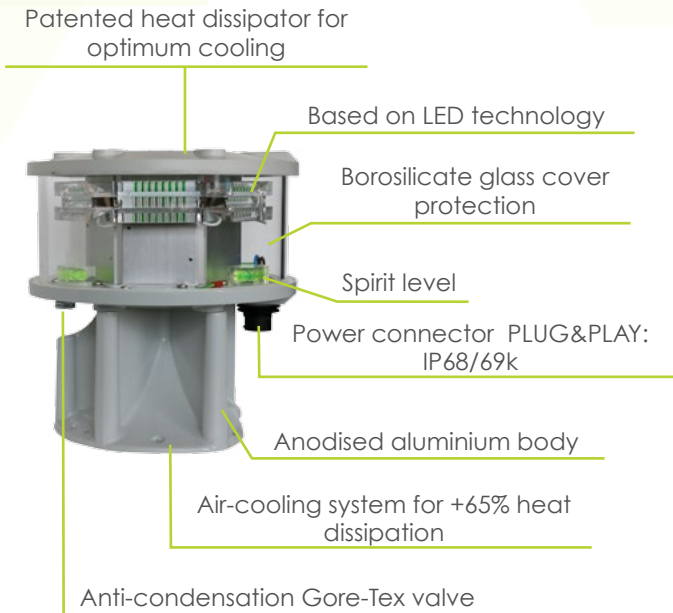


# HELIPORT LIGHTS

## APPROACH LIGHT - STEADY BURNING HAL-LXS-SB



- Long life time **>10 years life** expectancy
- **WHITE steady burning light**
- **Low** consumption
- **Stabilised light** output
- **Lightweight** and **compact**
- **Low** wind load factor
- **Easy** to install
- Light output **alignment device**
- **Adjustable intensity 3%, 10%, 100%** through external digital switch for flashing light
- **Flash sequence starting from the outermost light and progress towards the crossbar**

**PATENTED**

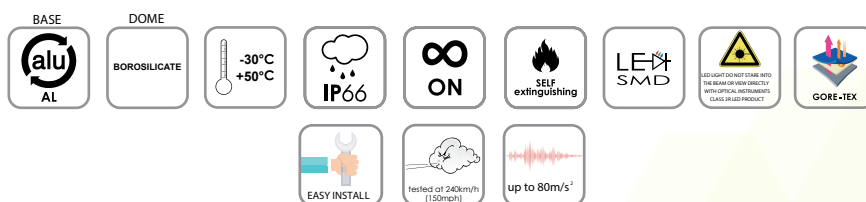
### CERTIFICATION



### COMPLIANCE



### FEATURES



### TYPICAL APPLICATION



# HELIPORT LIGHTS

## APPROACH LIGHT - STEADY BURNING TECHNICAL SPECIFICATION AND DRAWING

### OPTICAL FEATURES

- Based on LED technology
- Horizontal beam radiation 360°
- PMMA lens
- Vertical beam spread

Elevation (E)	Luminous Intensity
15°	25 cd
9°	250 cd
6°	350 cd
5°	350 cd
2°	250 cd
0°	25 cd

-180°                      Azimuth                      +180°

### LIGHT MECHANICAL FEATURES

- Anodised aluminium body, painted RAL7035
- Borosilicate glass cover protection
- Silicon rubber, VMQ
- Degree of protection: IP66
- Operating temperature -30°C to +50°C
- Weight: 6kg

### CONTROLLER MECHANICAL FEATURES

- Enclosure material: mild steel, painted RAL 7035
- Degree of protection: IP65
- Dimension: 500x300x210mm
- Weight: 20kg
- Operating temperature: -20°C to +50°C

### ELECTRICAL FEATURES

- Power supply by remote controller:
  - 12/24 VDC;
  - 115/230 VAC
- Average power consumption 13W
- LED feeded at constant current
- No RF-radiations

### CERTIFICATIONS

- CE marking

### COMPLIANCE

- ICAO Heliports - Annex 14 Vol. II
- ICAO Heliport Manual

### ORDER CODE

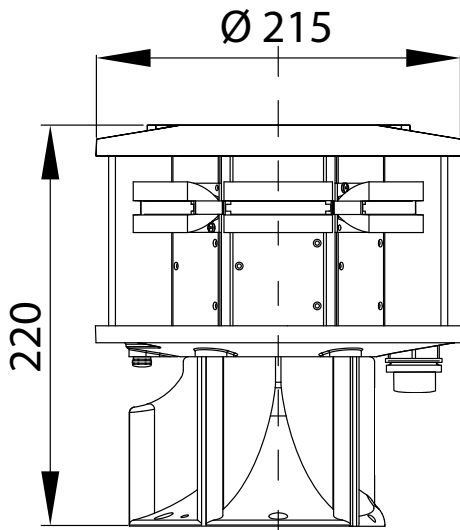
**HAL-LXS-SB**

# HELIPORT LIGHTS

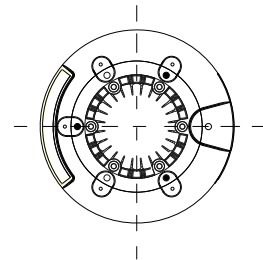
## APPROACH LIGHT - STEADY BURNING TECHNICAL SPECIFICATION AND DRAWING

BEACON

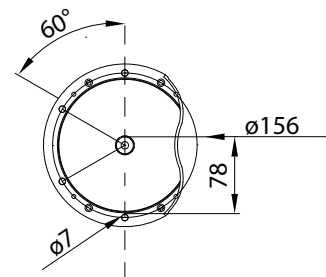
SIDE VIEW



TOP VIEW



BOTTOM VIEW

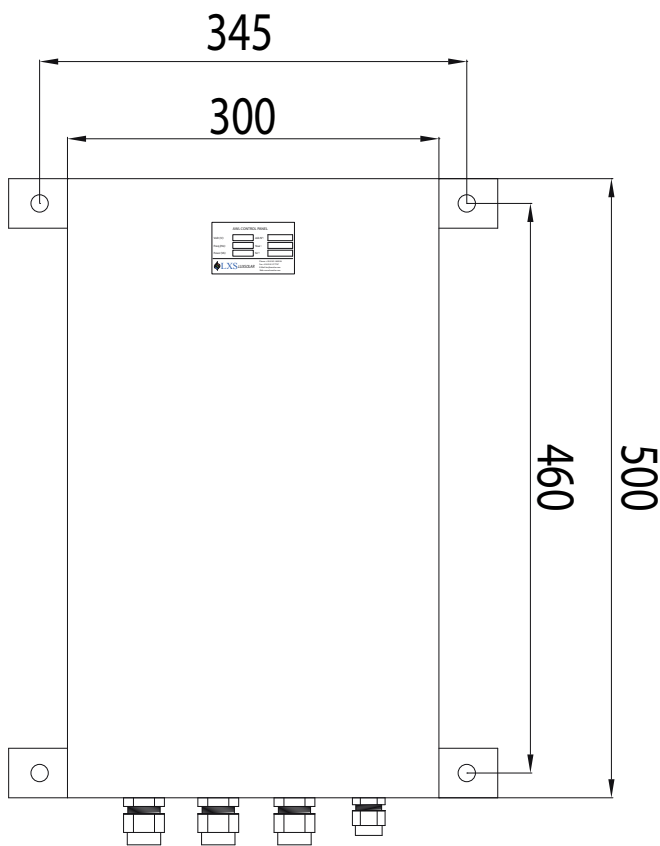


# HELIPORT LIGHTS

## APPROACH LIGHT - STEADY BURNING TECHNICAL SPECIFICATION AND DRAWING

### CONTROLLER

#### FRONT VIEW



#### TOP VIEW

