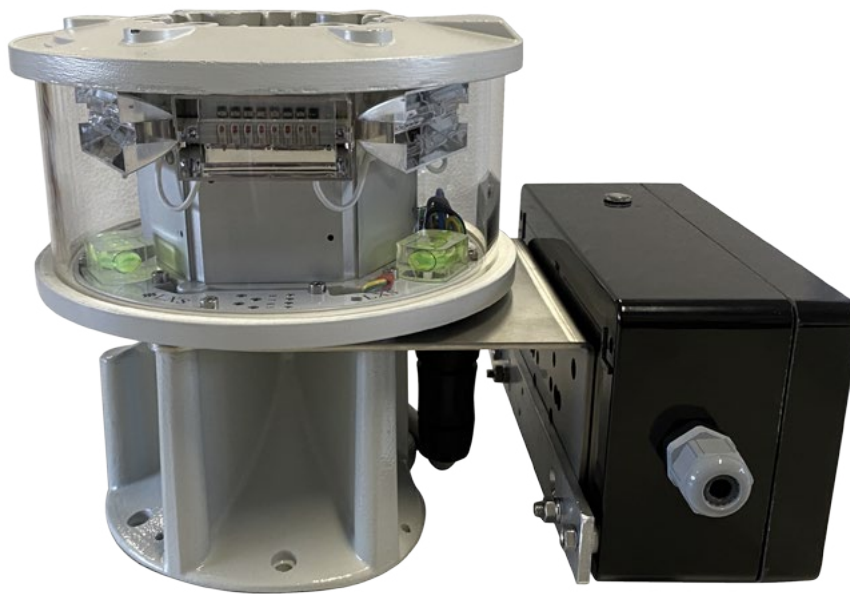


## RED LIGHTHOUSE-DOCK LIGHT 7-10nM



**PATENTED**  
PATENT ACHIEVED WITH THE CONTRIBUTION  
OF REGIONE LOMBARDIA - CALL FOR BIDS  
"RESEARCH & INNOVATION - MEASURE F"

Red (R) Marine Navigation Light, multi-LED type, compliant to IALA Guidelines.

**This product is the ideal solution for lighthouse and dock lights. Red colour, as per IALA rules, is used to identify dangerous areas, warn ships that waters are not safe or identify the starboard side of a channel.**

LUXSOLAR MARINE RED ALL-IN-ONE beacon has been designed to be a compact and lightweight product; it can be easily installed on an horizontal surface thanks to its base or vertical surface thanks to its mounting bracket and a balance of patented lenses, electronics and mechanical components make this device the most reliable and high-quality LED Marine Light available on the market.



Drawings, photos and contents of this document are for informational purposes only and subject to change without any notice.

# LIGHTHOUSE-DOCK LIGHTS

## RED LIGHTHOUSE-DOCK LIGHT 7-10nM

Patented chimney effect for optimum cooling of the beacon

Anodised aluminium body tested for salt atmosphere

Stabilized light output 7-10nM

► Based on LED technology  
► RED flashing light

Borosilicate glass cover protection

Photocell

GRP Terminal box

Anti-condensation Gore-Tex valve

Spirit level

Aircooling system for +65% heat dissipation

Plug&play power supply connector

Twin Circuit

### CERTIFICATIONS



### COMPLIANCE



### FEATURES



### TYPICAL APPLICATION



Drawings, photos and contents of this document are for informational purposes only and subject to change without any notice.

# LIGHTHOUSE-DOCK LIGHTS

## RED LIGHTHOUSE-DOCK LIGHT 7-10nM TECHNICAL SPECIFICATIONS

### KEY FEATURES

- Based on LED technology
- Night mode, RED flashing (Isophase or Occulting)
- Long life time >10+ years life expectancy
- Low consumption
- Stabilised light output
- Lightweight and compact
- Low wind load factor
- Alarm/remote status control
- Easy to install
- No RF-radiations
- Light output alignment device
- Twin version: two separate circuits in the same light fixture
- Automatic changeover from normal to backup light

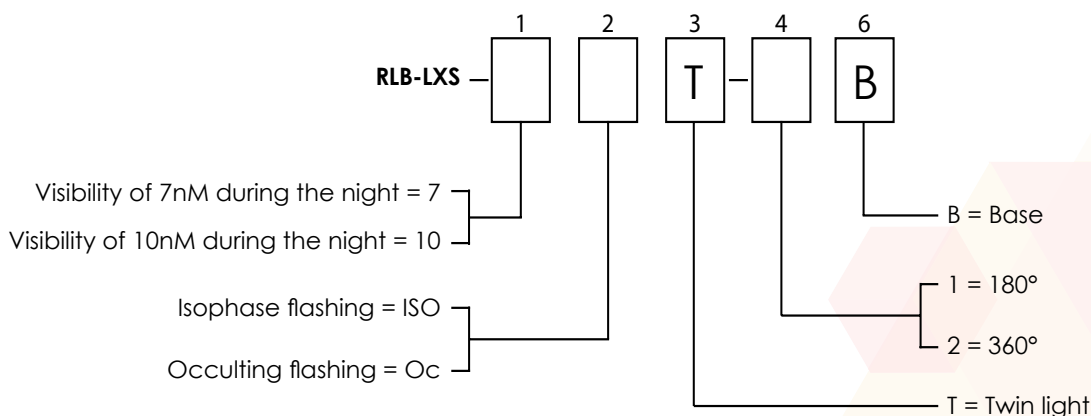
### ELECTRICAL FEATURES

- Power supply 24Vdc (18-32Vdc)
- Average power consumption for Isophase flashing (ISO R): 25W
- Average power consumption for Occulting flashing (Oc. R): from 30W to 50W
- LED feeded at constant current

### OPTICAL FEATURES

- Horizontal beam radiation: 360° or 180°
- PMMA lens
- Light intensity for luminous range for 74% (0,74T) atmospheric transmissivity

### ODER CODE



### MECHANICAL FEATURES

- Borosilicate glass cover protection
- RAL7035 painted aluminium body lamp
- Silicon gasket
- Bottom wind collector for central heat-sink cooling
- Degree of protection: IP66
- Anti-condensation Gore-Tex valve
- Photocell (twilight sensor)
- Operating temperature: -20°C to +45°C
- Storage temperature: -20°C to +45°C
- Lamp unit weight: 7kg approx

### OPTIONS

- GPS (Global Position System) syncro
- Solar battery system

### APPLY TO

- Lighthouse; Docks:
  - Red light is used to identify dangerous areas and warn ships that the waters are not safe
  - Red light is used to identify the starboard (right) side of a channel

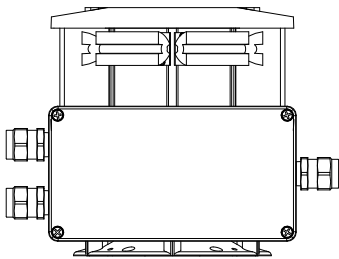
### INTERNATIONAL REGULATION

- IALA Maritime Buoyage System and other aids to navigation
- IALA guideline No. 1049
- CE marking

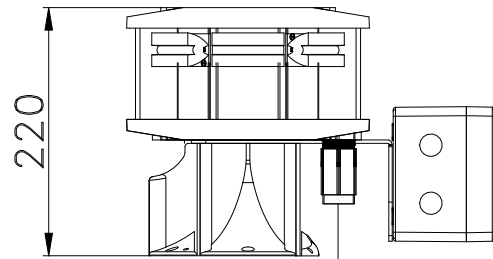
# LIGHTHOUSE-DOCK LIGHTS

## RED LIGHTHOUSE-DOCK LIGHT 7-10nM TECHNICAL DRAWING

**BEACON FRONT VIEW**

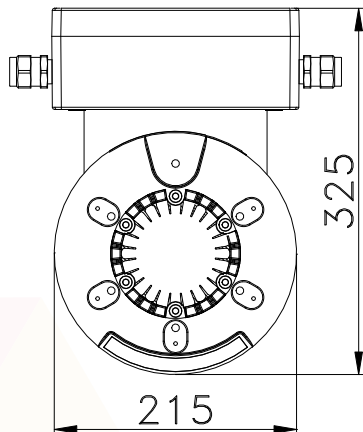


**BEACON SIDE VIEW**



INCOMING POWER SUPPLY CABLE  
C/W CONNECTOR (CABLE DIAMETER 7/14mm - max. 2,5sqmm)

**BEACON TOP VIEW**



**FIXING DETAILS**

