

LOWERING SYSTEM

RAIL LOWERING & RETRACTABLE SYSTEM



LOWERING SYSTEM

RAIL LOWERING & RETRACTABLE SYSTEM

The patented LUXSOLAR Rail Lowering System (LXS-LWS-R), is the ideal solution **for installing equipment on elevated structures**, otherwise difficult to reach without special safety precautions, allowing an **easy maintenance** from working elevation (be it on land or gangways level), **minimizing the risk to operators** and maintainers of falls and inhale the fumes.

KEY FEATURES

- Aluminum and stainless steel profiles
- Devices moved with manual winch
- Max loading weight: 300kg
- Equipment fixed to stainless steel mobile trolleys
- Aluminium rail constituted by a series of modules (approx. 6m)
- Device's power supply cable anchored to a steel wire
- Trolley mechanical lock
- No ladders, no platforms required
- Operating temperature between -40°C and +300°C
- Up to 200m

OPTIONS

- Stainless steel rail for high temperature ambient
- Curved profiles available, to adapt the lowering system to several structures

APPLY TO

- Flare
- Stack - High Building - Chimney
- Radio and television tower

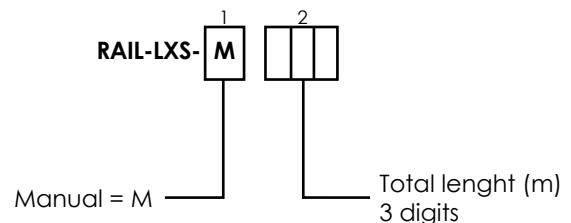
RECOMMENDED RETRACTABLE DEVICES

- Aircraft Warning Lights
- Radar - Antenna - Cameras
- Lighting projectors - Smoke analysis apparatus

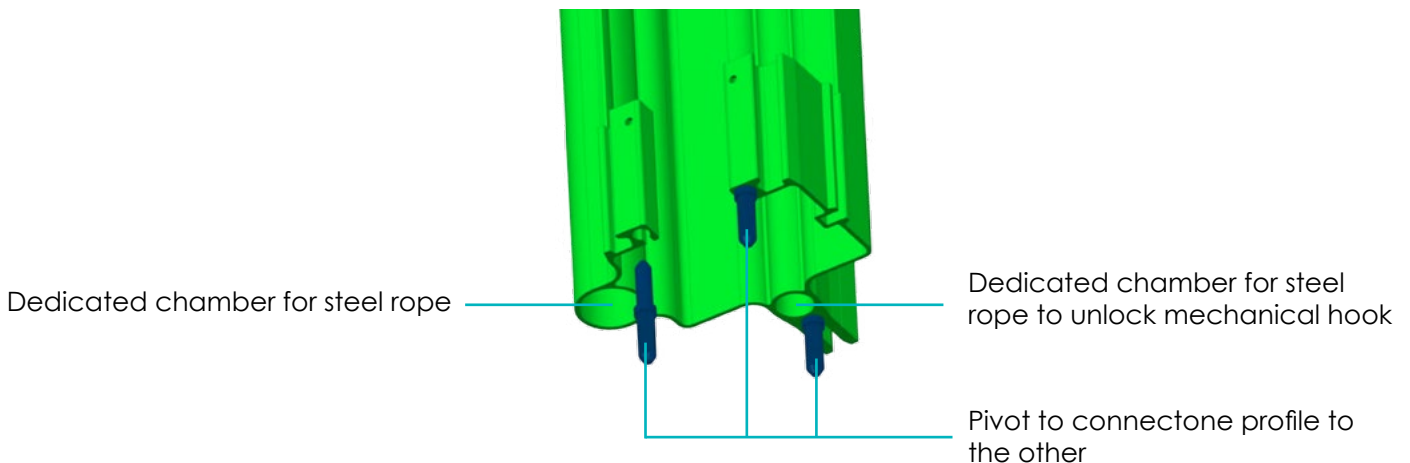
MANUFACTURER

C&E srl (Combustion and Energy srl)

ORDER CODE



SPECIFIC DESIGNED ALUMINUM PROFILE



LOWERING SYSTEM

RAIL LOWERING & RETRACTABLE SYSTEM



No ladders, no platforms required



Trolley mechanical lock

LOWERING SYSTEM

RAIL LOWERING & RETRACTABLE SYSTEM



EASY MAINTENANCE WITH LXS™ RETRACTABLE SYSTEM