

15nM WHITE LIGHT Ex NIGHT MODE



HAZARDOUS AREA



MARINE NAVIGATION AIDS

15nM WHITE LIGHT Ex NIGHT MODE TECHNICAL SPECIFICATIONS

OPTICAL FEATURES

- Based on LED technology
- 15nM (nautical mile) night mode, WHITE flashing (Morse Letter "U")
- Horizontal beam radiation 360°
- Vertical beam spread >2,5°
- PMMA lens

MECHANICAL FEATURES

- Painted RAL 7035 aluminium body
- Borosilicate glass dome
- Degree of protection: IP66
- Operating temperature: -52°C to +60°C
- Lamp unit weight: 15kg
- ATEX marking:
II 2GD Ex de IIC T4 Gb, Ex tb IIIC T135°C Db
- IECEx marking:
Ex de IIC T4 Gb, Ex tb IIIC T135°C Db
- TRCU RU marking:
1 Ex db e IIC T6...T3 GbX,
Ex tb IIIC T135°C...T200°C Db X

ELECTRICAL FEATURES

- Power supply from LUXSOLAR control panel (to be purchased separately)
- Average power consumption 18W
- LED feeded at constant current

APPLY TO

- Oil&Gas platform
- Other individual structure
- Used as main light to ensure that at least one light is visible upon approaching the structure from any direction

CERTIFICATIONS

- ATEX certificate
- IECEx certificate
- TRCU certificate
- CE marking

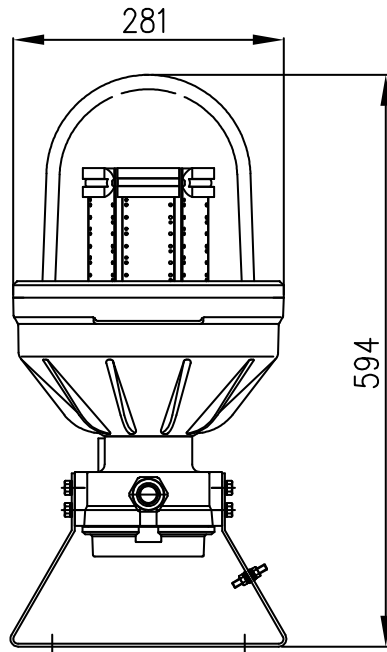
PART NUMBER

- Part number:
▶ **MNL-LXS-15nM-Ex-8**

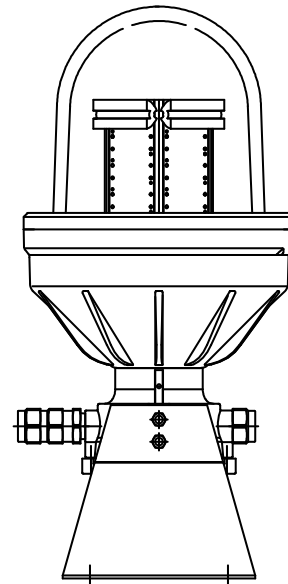
MARINE NAVIGATION AIDS

15nM WHITE LIGHT Ex NIGHT MODE TECHNICAL DRAWINGS

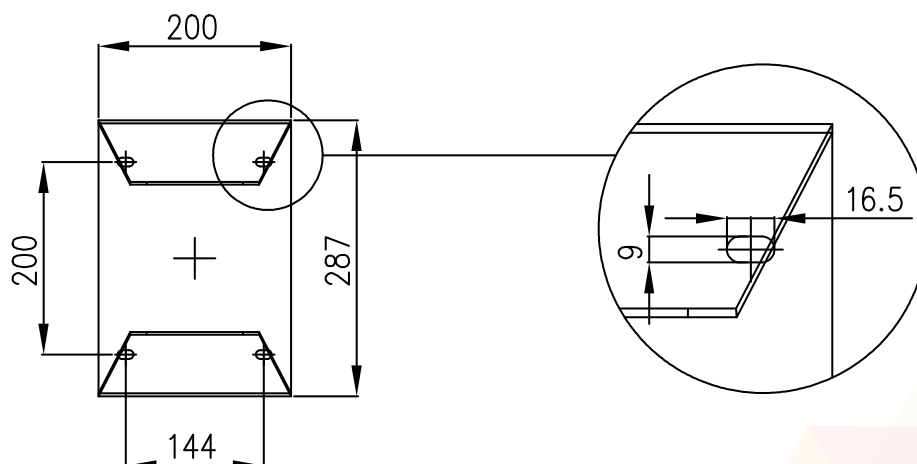
BEACON FRONT VIEW



BEACON SIDE VIEW

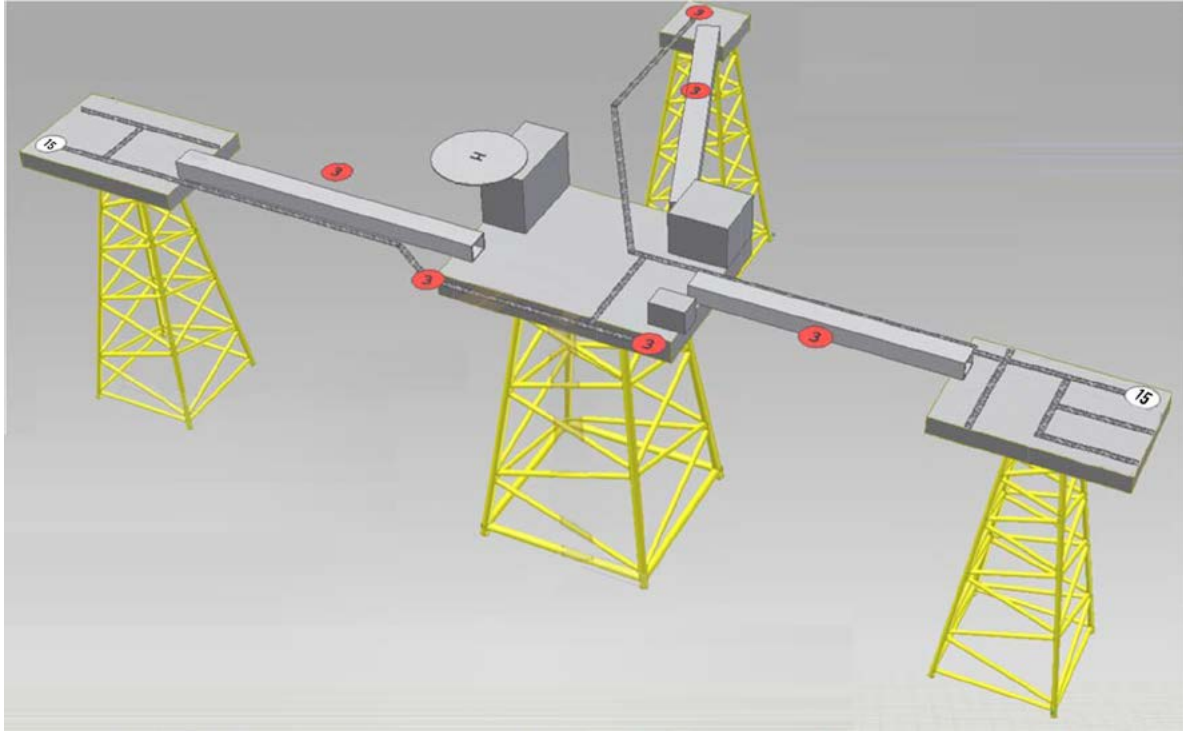


FIXING DETAILS



MARINE NAVIGATION AIDS

15nM WHITE LIGHT Ex NIGHT MODE



LEGEND

⑮ 15nM - White

CERTIFICATIONS



FEATURES



TYPICAL APPLICATION