

## 10nM WHITE LIGHT Ex NIGHT MODE



HAZARDOUS AREA



# MARINE NAVIGATION AIDS

## 10nM WHITE LIGHT Ex NIGHT MODE TECHNICAL SPECIFICATIONS

### OPTICAL FEATURES

- Based on LED technology
- 10nM (nautical mile) night mode, WHITE flashing (Morse Letter "U")
- Horizontal beam radiation 360°
- Vertical beam spread >2,5°
- PMMA lens

### MECHANICAL FEATURES

- Painted RAL 7035 aluminium body
- Borosilicate glass dome
- Degree of protection: IP66
- Operating temperature: -52°C to +60°C
- Lamp unit weight: 15kg
- ATEX marking:  
II 2GD Ex de IIC T4 Gb, Ex tb IIIC T135°C Db
- IECEx marking:  
Ex de IIC T4 Gb, Ex tb IIIC T135°C Db
- TRCU RU marking:  
1 Ex db e IIC T6...T3 GbX,  
Ex tb IIIC T135°C...T200°C Db X

### ELECTRICAL FEATURES

- Power supply from LUXSOLAR control panel (to be purchased separately)
- Average power consumption 6W
- LED feeded at constant current

### APPLY TO

- Oil&Gas platform
- Other individual structure
- Used as main light to ensure that at least one light is visible upon approaching the structure from any direction

### CERTIFICATIONS

- ATEX certificate
- IECEx certificate
- TRCU certificate
- CE marking

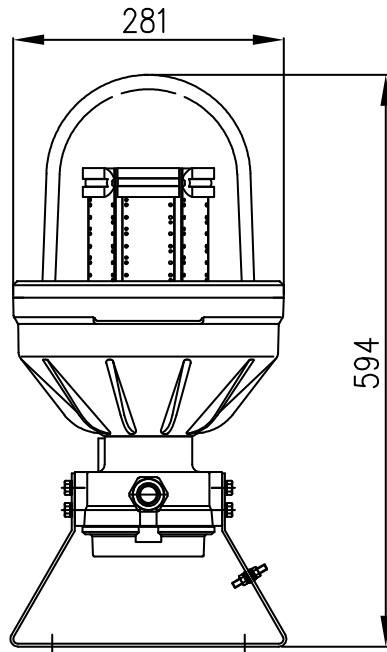
### PART NUMBER

- Part number:  
▶ **MNL-LXS-10nM-Ex-8**

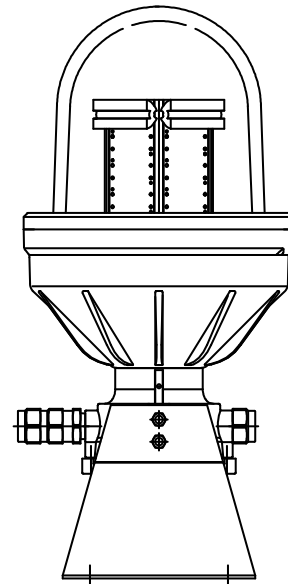
# MARINE NAVIGATION AIDS

## 10nM WHITE LIGHT Ex NIGHT MODE TECHNICAL DRAWINGS

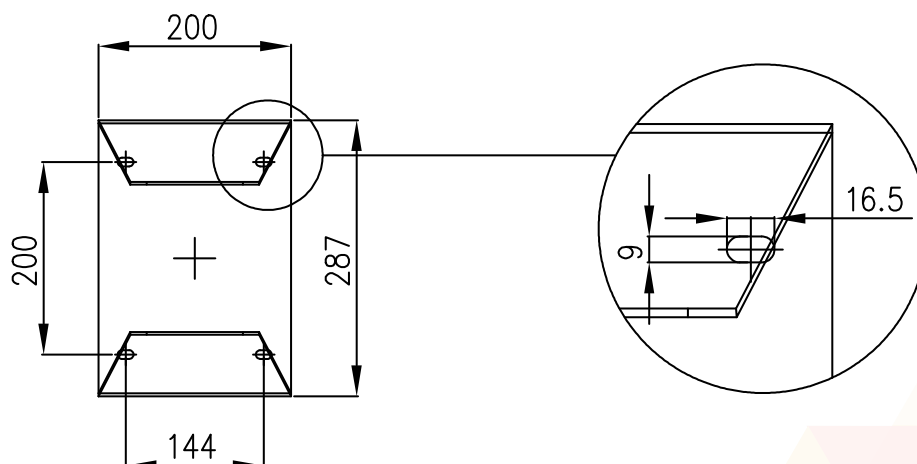
BEACON FRONT VIEW



BEACON SIDE VIEW

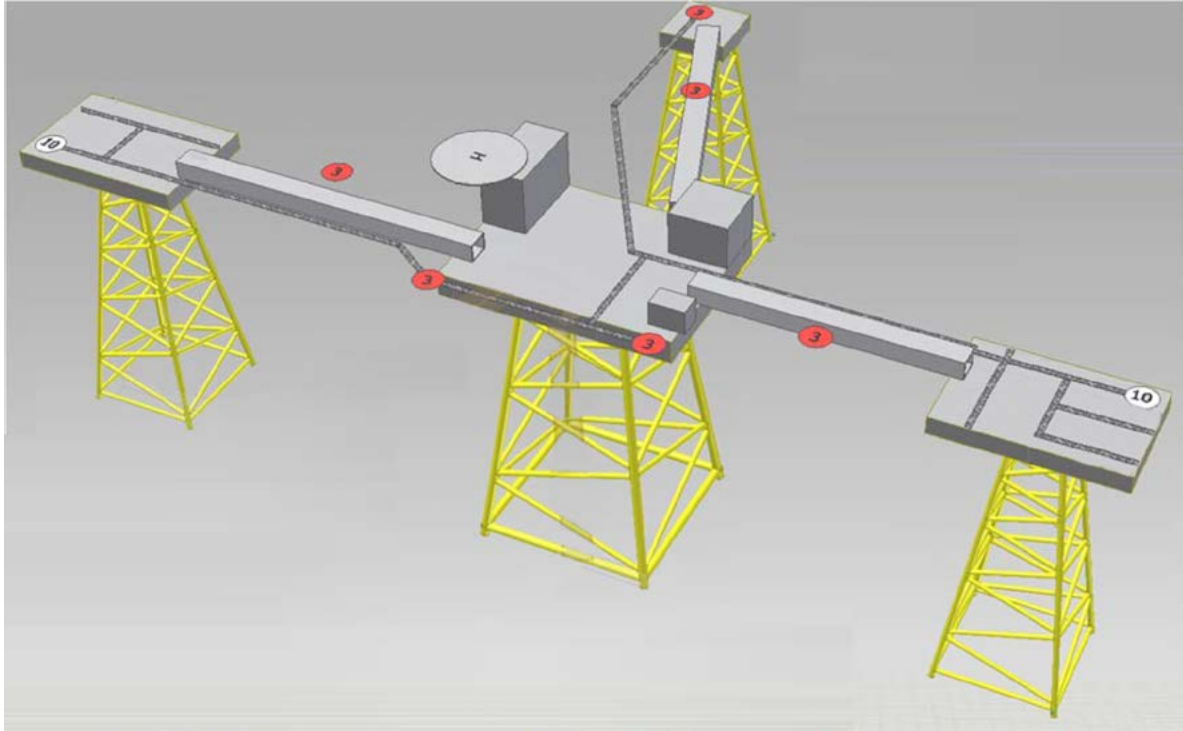


FIXING DETAILS



# MARINE NAVIGATION AIDS

## 10nM WHITE LIGHT Ex NIGHT MODE



### LEGEND

⑩ 10nM - White

### CERTIFICATIONS



### FEATURES



### TYPICAL APPLICATION

