

MEDIUM INTENSITY

MEDIUM INTENSITY OBSTRUCTION LIGHT



According to Annex 14 of ICAO regulation, Medium Intensity Obstruction Lights (MIOL) should be used to warn the presence of obstacles with an height between 45m and 150m, such as telecommunication towers, wind turbines, chimneys, cranes, buildings and other structures.

Medium Intensity Obstruction Lights include three type of beacons, with different characteristics and uses:

- MIOL Type A (intensity 20.000cd, day-mode white flashing; 2.000cd, night-mode white flashing) should be used alone;
- MIOL Type B (intensity 2.000cd, night-mode red flashing) should be used either alone or in combination with Low Intensity Obstacle Lights, Type B or Type E;
- MIOL Type C (intensity 2.000cd, night-mode red steady burning) should be used either alone or in combination with Medium Intensity Obstacle Lights, Type AC.

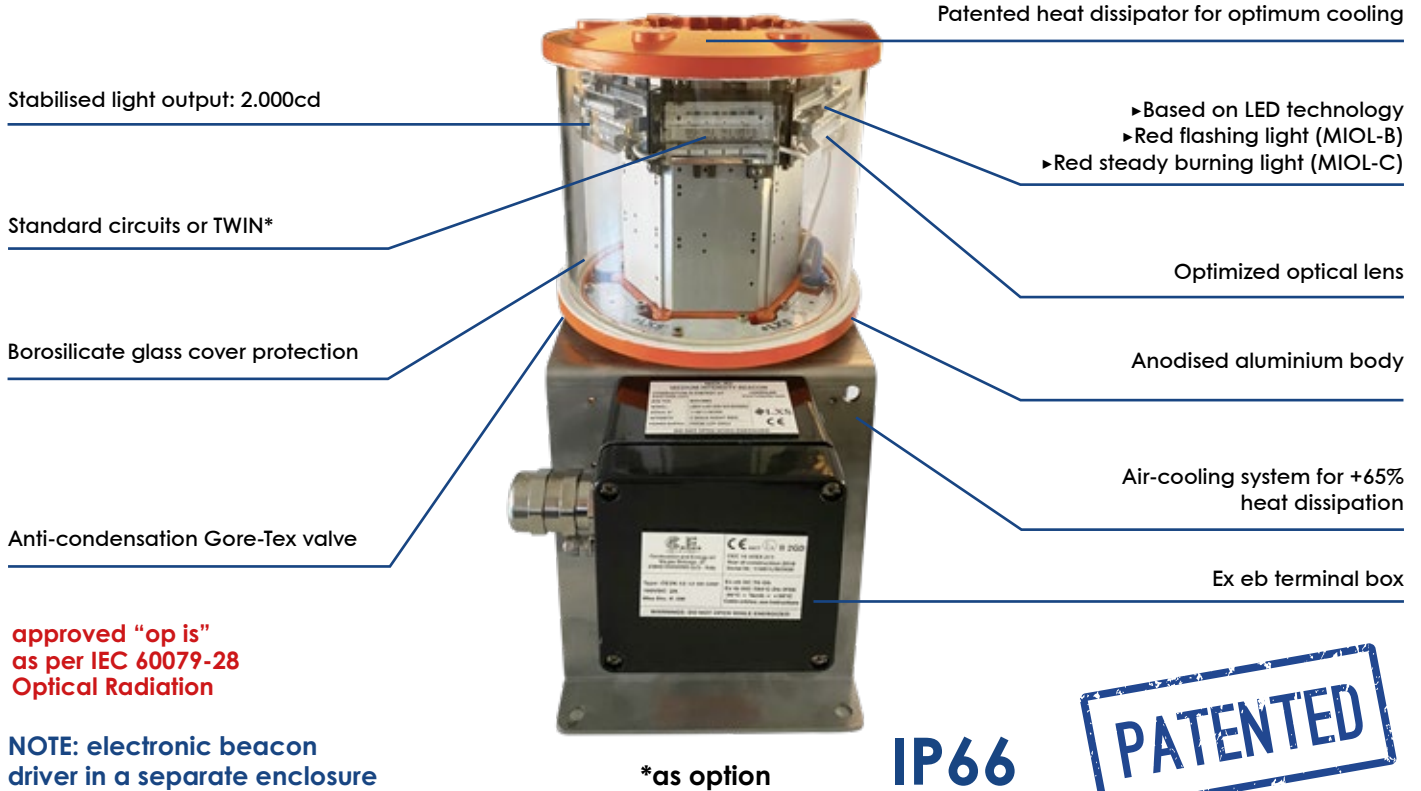
LUXSOLAR offers to its customers also DUAL type beacons in the same light fixture, suitable to be used during the day (with white LEDs) and during the night (with red LEDs); these beacons are:

- DUAL MIOL Type AB (intensity 20.000cd, day-mode white flashing; 2.000cd, night-mode red flashing) should be used in combination with Low Intensity Obstacle Lights, Type B or Type E;
- DUAL MIOL Type AC (intensity 20.000cd, day-mode white flashing; 2.000cd, night-mode red steady burning) should be used in combination with Medium Intensity Obstacle Lights, Type C.



MEDIUM INTENSITY

MIOL-B EX eb mb op is/MIOL-C EX eb mb op is



LUXSOLAR L864-LXS Medium Intensity Obstruction Light is compliant to ICAO (Medium Intensity - Type B or C), FAA (Type L-864), ENAC and EASA compliant.

With a **compact body**, high quality and ultra-bright LEDs, customised lenses for an optimum beam spread, LUXSOLAR MIOL-B/C Ex product is **your best choice for an efficient, long life and reliable Aircraft Warning Obstacle Light**.

This beacon has been designed for hazardous areas with Ex eb mb op is IIC and Ex tb op is IIIC protection. **ATEX, IECEx and INMETRO** certified, compliant to **EN/IEC 60079-0, EN/IEC 60079-7, EN/IEC 60079-18, EN/IEC 60079-28, EN/IEC 60079-31** regulations. **It is suitable for hazardous areas Zone 1, Zone 21, Zone 2, Zone 22** where potentially explosive atmosphere due to the presence of flammable and explosive vapours, gas or dust may be present.

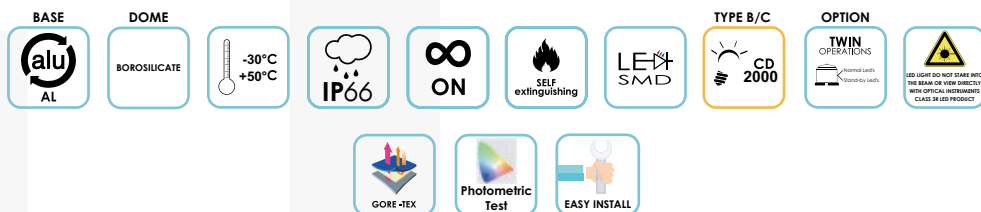
CERTIFICATION



COMPLIANCE



FEATURES



TYPICAL APPLICATION



MEDIUM INTENSITY

MIOL-B Ex eb mb op is/MIOL-C Ex eb mb op is TECHNICAL SPECIFICATIONS

OPTICAL FEATURES

- Based on LED technology
- RED light 2.000cd
- Horizontal beam radiation: 360°
- Vertical beam spread: 4°
- PMMA lens
- **ATEX marking:**
 - II 2GD
 - Ex eb mb op is IIC T6 Gb;
 - Ex op is tb IIIC T80°C Db
 - II 3GD
 - Ex eb mb IIC T6 Gc;
 - Ex tb IIIC T80°C Dc
- **IECEX marking:**
 - Ex eb mb op is IIC T6 Gb;
 - Ex op is tb IIIC T80°C Db
 - Ex eb mb IIC T6 Gc;
 - Ex tb IIIC T80° Dc

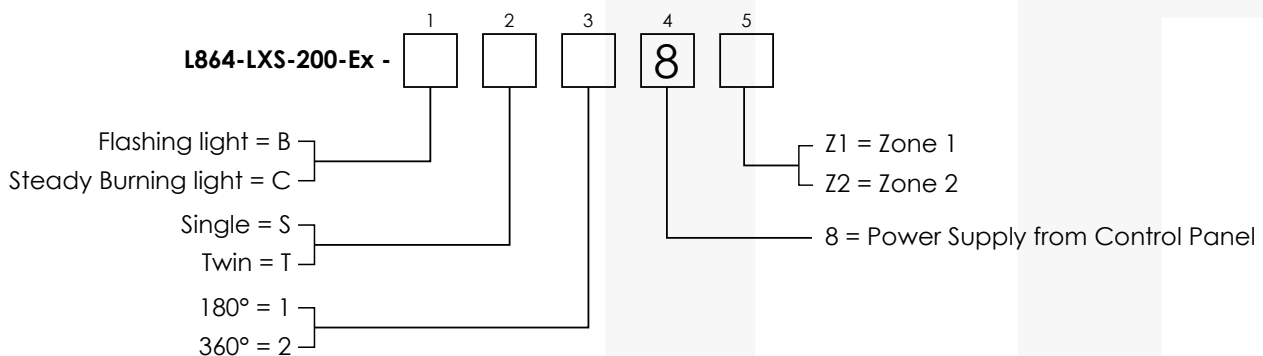
MECHANICAL FEATURES

- RAL 2004 painted aluminium body
- Borosilicate glass cover protection
- Base wind collector and internal heat sink for optimum cooling
- Degree of protection: IP66
- Anti-Condensation Gore-Tex Valve
- Operating temperature: -30°C to +50°C
- Lamp unit weight: 12kg

ELECTRICAL FEATURES

- Power supply by Luxsolar Control Panel:
 - 12/24 Vdc
 - 115/230 Vac
- Average power consumption for MIOL-B Ex:
 - @20fpm: 1,5W
 - @40fpm: 3W
 - @60fpm: 4,5W
- Average power consumption for MIOL-C Ex (Steady Burning): 21W
- LED feeded at constant current
- No RF-radiations

ORDER CODE



OPTIONS

- TWIN version: two separate LED circuits in the same fixture (normal + stand-by)

APPLY TO

- Stack
- Chimney
- Tower crane
- Offshore Platform
- Chemical and petrochemical plant

CERTIFICATIONS

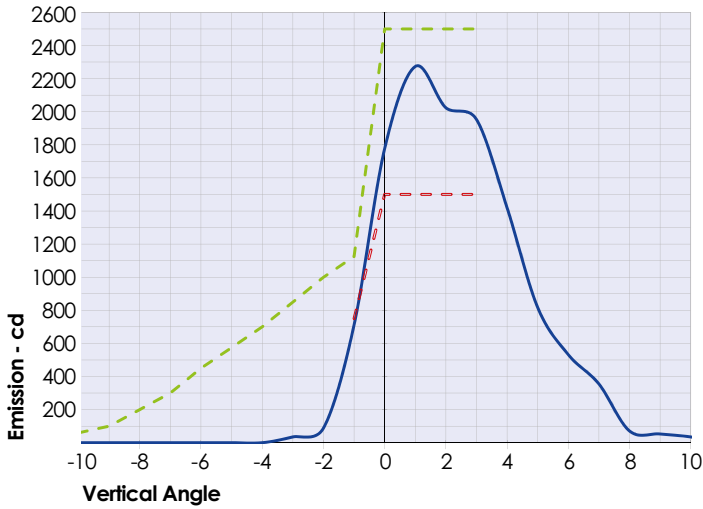
- ATEX certificate
- IECEX certificate
- INMETRO certificate
- EASA test report (EN 17025 laboratory) nr. 326-QL20-R09/R10
- CE marking

COMPLIANCE

- ICAO Aerodromes -Annex 14 Vol. 1, Chapter 6: Medium intensity, Type B flashing obstacle light MIOL-B type or Type C steady burning obstacle light MIOL-C type
- FAA AC150/5345-43 E.B. #67 type L-864
- EASA CS-ADR-DSN, Chapter Q

MEDIUM INTENSITY

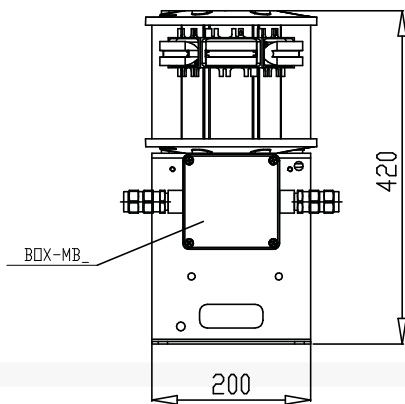
MIOL-B Ex eb mb op is/MIOL-C Ex eb mb op is TECHNICAL SPECIFICATIONS



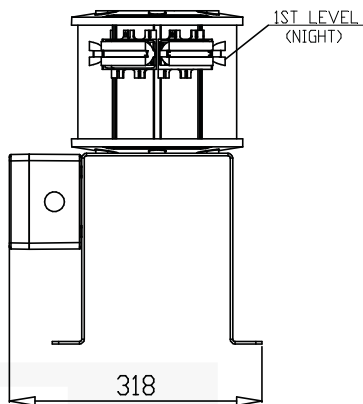
— L864-LXS-200-Ex-B/C average emission level at 90°C ambient temp.
 - ICAO ANNEX 14 medium intensity type B/C Min. Required Intensity
 - ICAO ANNEX 14 medium intensity type B/C Max. Required Intensity

SINGLE VERSION

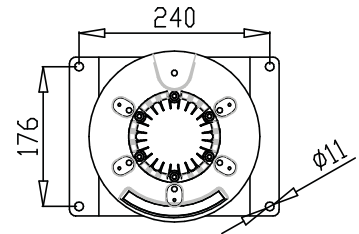
BEACON FRONT VIEW



BEACON SIDE VIEW

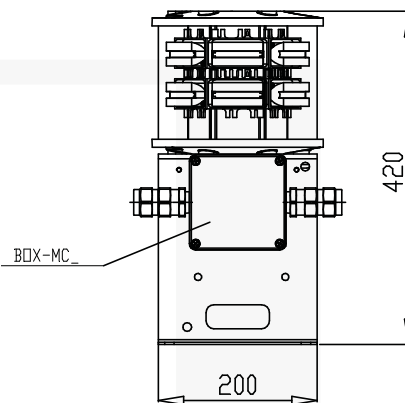


FIXING DETAILS

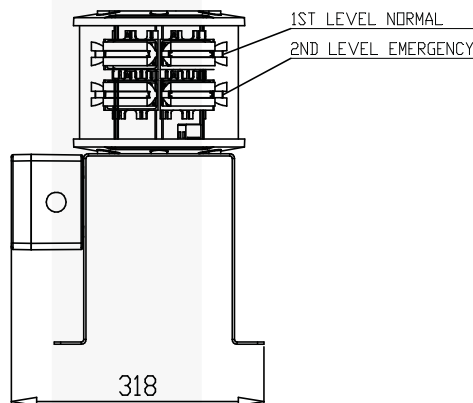


TWIN VERSION

BEACON FRONT VIEW



BEACON SIDE VIEW



FIXING DETAILS

