

MEDIUM INTENSITY

MEDIUM INTENSITY OBSTRUCTION LIGHT



According to Annex 14 of ICAO regulation, Medium Intensity Obstruction Lights (MIOL) should be used to warn the presence of obstacles with an height between 45m and 150m, such as telecommunication towers, wind turbines, chimneys, cranes, buildings and other structures.

Medium Intensity Obstruction Lights include three type of beacons, with different characteristics and uses:

- MIOL Type A (intensity 20.000cd, day-mode white flashing; 2.000cd, night-mode white flashing) should be used alone;
- MIOL Type B (intensity 2.000cd, night-mode red flashing) should be used either alone or in combination with Low Intensity Obstacle Lights, Type B or Type E;
- MIOL Type C (intensity 2.000cd, night-mode red steady burning) should be used either alone or in combination with Medium Intensity Obstacle Lights, Type AC.

LUXSOLAR offers to its customers also DUAL type beacons in the same light fixture, suitable to be used during the day (with white LEDs) and during the night (with red LEDs); these beacons are:

- DUAL MIOL Type AB (intensity 20.000cd, day-mode white flashing; 2.000cd, night-mode red flashing) should be used in combination with Low Intensity Obstacle Lights, Type B or Type E;
- DUAL MIOL Type AC (intensity 20.000cd, day-mode white flashing; 2.000cd, night-mode red steady burning) should be used in combination with Medium Intensity Obstacle Lights, Type C.



MEDIUM INTENSITY

MIOL-A Ex eb mb op is

Patented heat dissipator for optimum cooling

- Stabilised light output:
20.000cd day mode
2.000cd night mode
- Standard circuits or TWIN*
- Borosilicate glass cover protection
- Anti-condensation Gore-Tex valve
- Based on LED technology
►White flashing light
- Optimized optical lens
- Anodised aluminium body
- Air-cooling system for +65% heat dissipation
- Ex eb terminal box

approved "op is" as per IEC 60079-28 Optical Radiation

NOTE: electronic beacon driver in a separate enclosure

*as option

IP66

PATENTED

LUXSOLAR L865-LXS Medium Intensity Obstruction Light is compliant to ICAO (Medium Intensity - Type A), FAA (Type L-865), ENAC and EASA compliant.

With a compact body, high quality and ultra-bright LEDs, customised lenses for an optimum beam spread, LUXSOLAR MIOL-A Ex product is your best choice for an efficient, long life and reliable Aircraft Warning Obstacle Light.

This beacon has been designed for hazardous areas with Ex eb mb op is IIC and Ex tb op is IIIC protection. ATEX, IECEx and INMETRO certified, compliant to EN/IEC 60079-0, EN/IEC 60079-7, EN/IEC 60079-18, EN/IEC 60079-28, EN/IEC 60079-31 regulations. It is suitable for hazardous areas Zone 1, Zone 21, Zone 2, Zone 22 where potentially explosive atmosphere due to the presence of flammable and explosive vapours, gas or dust may be present.

CERTIFICATION



COMPLIANCE



FEATURES

BASE 	DOME 						DAY 	NIGHT 	OPTION 	
----------	----------	--	--	--	--	--	---------	-----------	------------	--

--	--	--

TYPICAL APPLICATION



MEDIUM INTENSITY

MIOL-A Ex eb mb op is TECHNICAL SPECIFICATIONS

OPTICAL FEATURES

- Based on LED technology
- 20.000cd day mode, WHITE flashing
- 2.000cd night mode, WHITE flashing
- Horizontal beam radiation: 360°
- Vertical beam spread: 4°
- PMMA lens
- ATEX marking:
 - II 2GD
Ex eb mb op is IIC T6 Gb;
Ex op is tb IIIC T80°C Db
 - II 3GD
Ex eb mb IIC T6 Gc;
Ex tb IIIC T80°C Dc
- IECEx marking:
 - Ex eb mb op is IIC T6 Gb;
Ex op is tb IIIC T80°C Db
 - Ex eb mb IIC T6 Gc;
Ex tb IIIC T80° Dc

MECHANICAL FEATURES

- RAL 2004 painted aluminium body
- Borosilicate glass cover protection
- Base wind collector and internal heat sink for optimum cooling
- Degree of protection: IP66
- Anti-Condensation Gore-Tex Valve
- Operating temperature: -30°C to +50°C
- Lamp unit weight: 12kg

ELECTRICAL FEATURES

- Power supply by Luxsolar Control Panel:
 - 12/24 Vdc
 - 115/230 Vac
- Average power consumption (@20fpm):
 - day mode: 45W
 - night mode: 10W
- Average power consumption (@40fpm):
 - day mode: 110W
 - night mode: 13W
- Average power consumption (@60fpm):
 - day mode: 160W
 - night mode: 18W
- LED feeded at constant current
- No RF-radiations

OPTIONS

- TWIN version: two separate LED circuits in the same fixture (normal + stand-by)

APPLY TO

- Stack
- Chimney
- Tower crane
- Offshore Platform
- Chemical and petrochemical plant

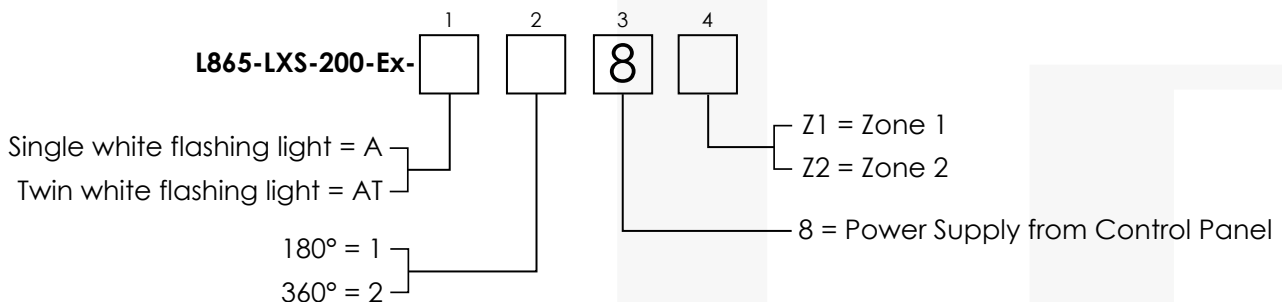
CERTIFICATIONS

- ATEX certificate
- IECEx certificate
- INMETRO certificate
- CE marking

COMPLIANCE

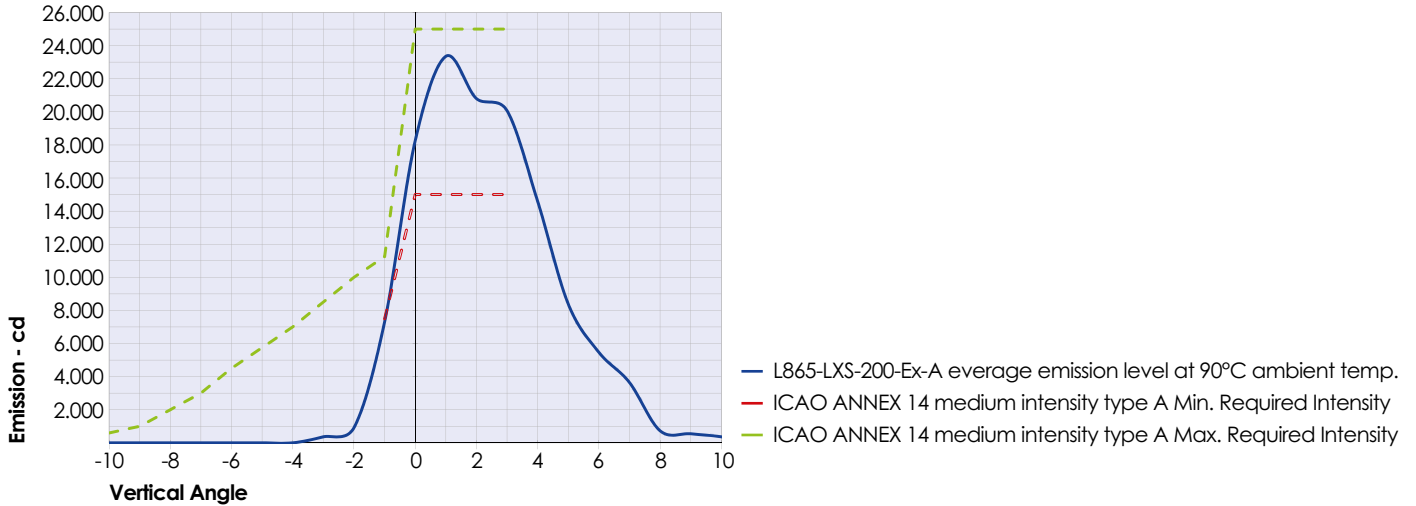
- ICAO Aerodromes -Annex 14 Vol. 1, Chapter 6: Medium intensity, Type A flashing obstacle light MIOL-A type
- FAA AC150/5345-43F E.B. #67 Lamp type L-865
- EASA CS-ADR-DSN, Chapter Q

ORDER CODE

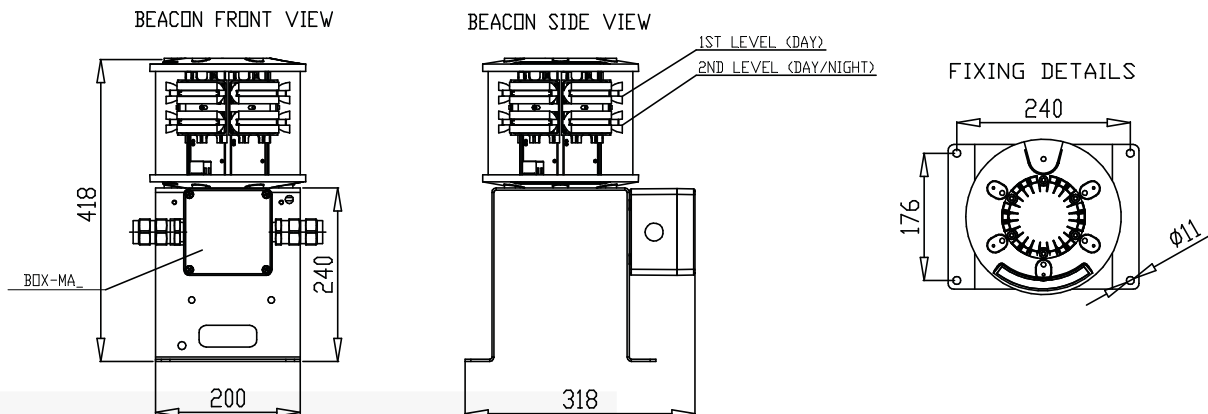


MEDIUM INTENSITY

MIOL-A Ex eb mb op is TECHNICAL SPECIFICATIONS



SINGLE VERSION



TWIN VERSION

