

HELIPORT LIGHTS

PERIMETER LIGHT - TLOF INSET TLOF-LXS-INSET

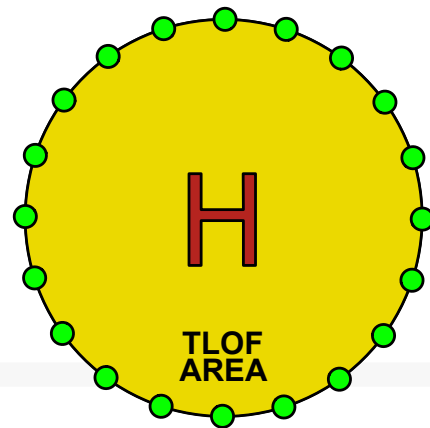
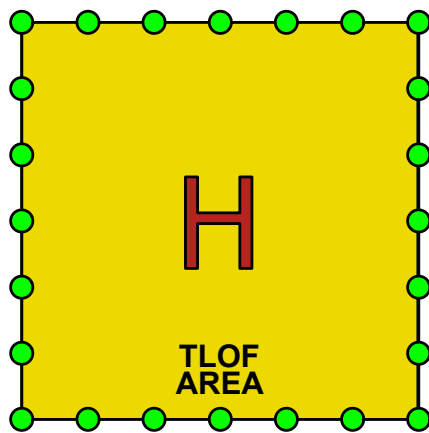


Defines the perimeter of TLOF. As it is built-in, it requires the construction of a well in the flooring of the surface. Suitable for both ground and elevated platforms.

- Steady green light
- Lifetime higher than 10 years
- Low consumption
- Stabilised light output
- Compact and light structure
- Easy to install
- No RF-radiations



INSTALLATION MAPS



LEGEND

● TLOF-LXS-INSET

NOTE: the number of TLOF perimeter lights required by legislation is strictly dependent on the size of the TLOF area in question.

On elevated platforms, in most cases the TLOF area coincides with the FATO area, so the installation of TLOF perimeter lights only is required.

CERTIFICATION



FEATURES



HELIPORT LIGHTS

PERIMETER LIGHT - TLOF INSET TECHNICAL SPECIFICATIONS

OPTICAL FEATURES

- Horizontal emission: 360°
- PMMA and tempered glass lenses

Elevation (E)	Luminous Intensity
$20^\circ < E \leq 90^\circ$	3 cd
$13^\circ < E \leq 20^\circ$	8 cd
$10^\circ < E \leq 13^\circ$	15 cd
$5^\circ < E \leq 10^\circ$	30 cd
$2^\circ \leq E \leq 5^\circ$	15 cd

-180° Azimuth +180°

MECHANICAL FEATURES

- SS316 body
- NBR o-ring
- Degree of protection: IP68 (1,2 m x 45 min)
- Shallow base 5"
- Operating temperature: -20°C to +60°C
- Supplied with 30cm LUXSOLAR standard cable
- Weight: 4,8kg
- Tempered glass max load 5 ton

COMPLIANCE

- ICAO Aerodromes - Annex 14 Volume 2, Heliports
- EASA CS-HPT-DSN

ELECTRICAL FEATURES

- Power Supply:
 - 24 VDC stand-alone version
 - From control panel for light system
- Consumption: 3,7W @12/24Vdc
- Constant current driven LED
- Light intensity adjustment: 10% - 30% - 100%

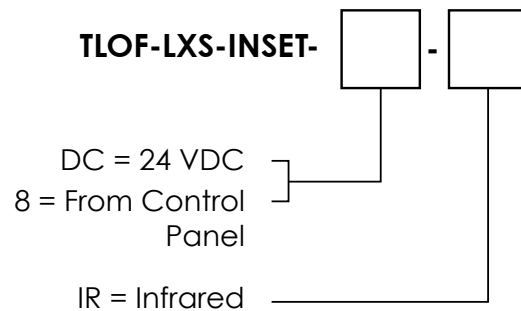
OPTIONS

- Adaptor for shallow base 8" / 12"
- Wave length IR: 850nm, compatible with NVG pilot

CERTIFICATION

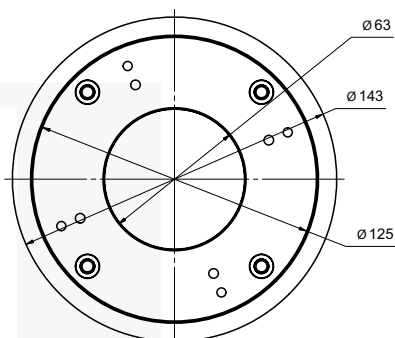
- CE marking
- ICAO/EASA test report nr.1407-QL22-R01 (lab. EN17025)

ORDER CODE



TECHNICAL DRAWINGS

TOP VIEW



SIDE VIEW

