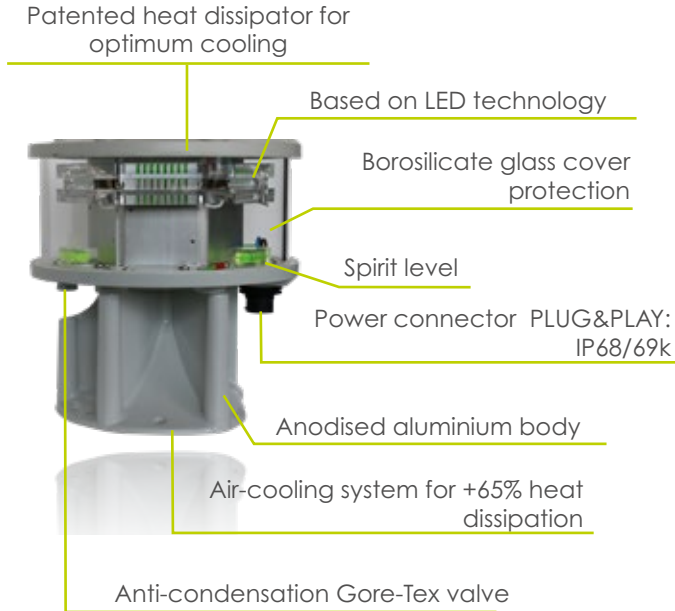


HELIPORT LIGHTS

HELIPORT BEACON - HB HB-LXS



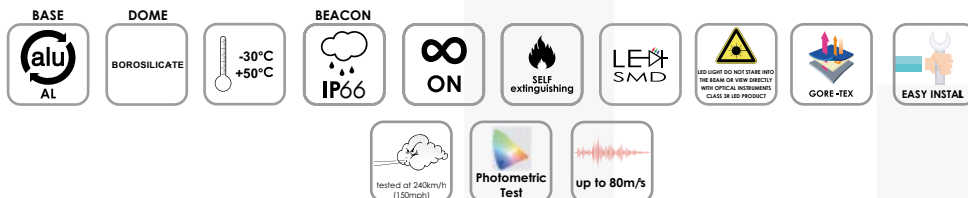
- Long life time >10 years life expectancy
- Morse code "H" White light
- Low consumption
- Stabilised light output
- Lightweight and compact
- Low wind load factor
- Easy to install
- Light output alignment device
- Adjustable intensity OFF -3%, -10%, -100% through external digital switch
- Electronic beacon driver in a separate enclosure

PATENTED

CERTIFICATION



FEATURES



TYPICAL APPLICATION



HELIPORT LIGHTS

HELIPORT BEACON - HB TECHNICAL SPECIFICATION AND DRAWING

OPTICAL FEATURES

- Based on LED technology
- Horizontal beam radiation 360°
- PMMA lens
- Vertical beam spread

Elevation (E)	Luminous Intensity
10°	250cd
7°	750cd
4°	1700cd
2° ½	2500cd
1° ½	2500cd
0°	1700cd

-180° Azimuth +180°

LIGHT MECHANICAL FEATURES

- Anodised aluminium body, painted RAL7035
- Borosilicate glass cover protection
- Silicon rubber, VMQ
- Degree of protection: IP66 (Beacon)
- Operating temperature -30°C to +50°C

CONTROLLER MECHANICAL FEATURES

- Enclosure material: mild steel, painted RAL 7035
- Degree of protection: IP65
- Dimension: 500x300x210mm
- Weight: 20kg
- Operating temperature: -20°C to +50°C

ELECTRICAL FEATURES

- Power supply by LUXSOLAR controller:
 - 12/24 VDC;
 - 115/230 VAC
- Average power consumption 13W
- LED feeded at constant current
- No RF-radiations

CERTIFICATIONS

- ICAO/EASA test report (EN17025 laboratory) nr. 523-QL17-R02
- CE marking

COMPLIANCE

- ICAO Heliports - Annex 14 Vol. II
- ICAO Heliport Manual

ORDER CODE

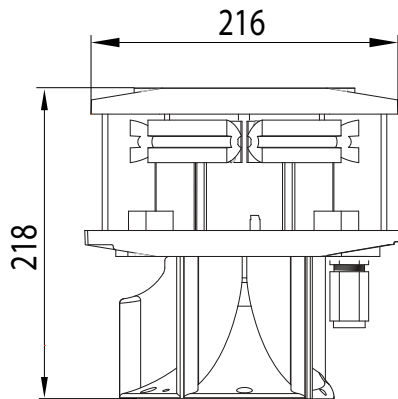
HB-LXS-IP24
HB-LXS-IP230

HELIPORT LIGHTS

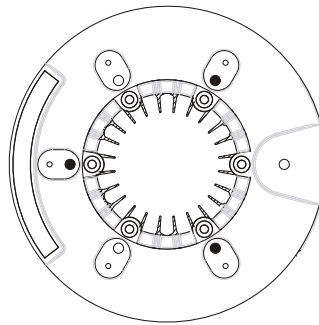
HELIPORT BEACON - HB TECHNICAL SPECIFICATION AND DRAWING

BEACON

FRONT VIEW

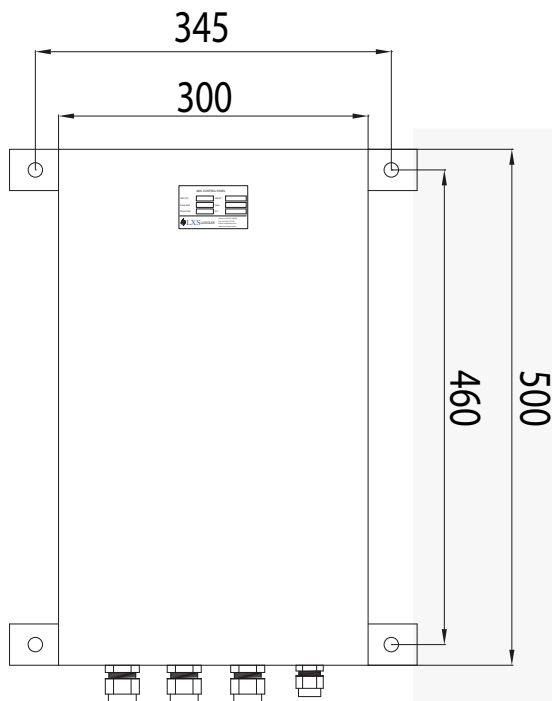


TOP VIEW

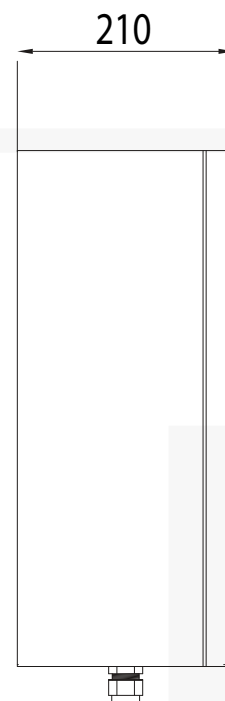


CONTROLLER

FRONT VIEW



TOP VIEW



HELIPORT LIGHTS

HELIPORT BEACON - HB TECHNICAL SPECIFICATION AND DRAWING

