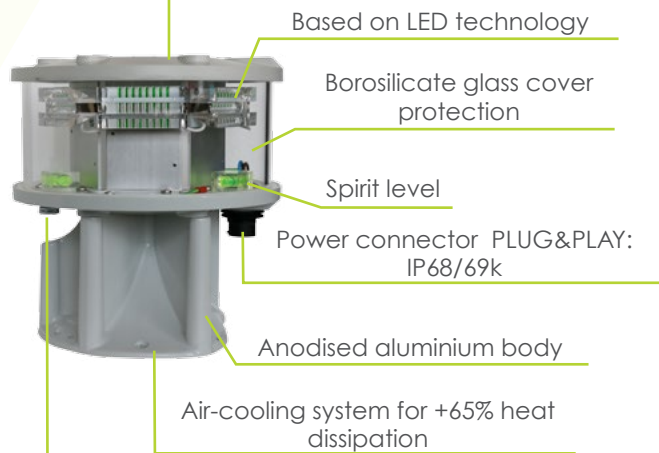


# HELIPORT LIGHTS

## HELIHOIST STATUS LIGHT HSL-LXS-CAP437-IP

Patented heat dissipator for optimum cooling



Anti-condensation Gore-Tex valve

→ Light emission:

- ▶ **Green Steady:** wind turbine is secure for operation;
- ▶ **Green Flashing (120fpm):** wind turbine is in preparation to accept hoist operation or during operation parameters are moving out of limits;
- ▶ **Light Off:** wind turbine is not safe for conducting operations;

→ Long life time **>10 years** life expectancy

→ **Low** consumption

→ **Stabilised light** output

→ **Low wind** load factor

→ **Easy** to install

→ **Light output alignment** device

**PATENTED**



### CERTIFICATION



### COMPLIANCE



### FEATURES



### TYPICAL APPLICATION



# HELIPORT LIGHTS

## HELIHOIST STATUS LIGHT TECHNICAL SPECIFICATION AND DRAWING

### OPTICAL FEATURES

- Horizontal beam radiation 360°
- PMMA lens
- Vertical beam radiation:

	Min. Intensity		Max. Intensity	
	2° to 10°	>10° to 90°	0° to 15°	>15° to 90°
Day	410cd	16cd	750cd	120cd
Night	16cd	3cd	60cd	60cd

### LIGHT MECHANICAL FEATURES

- Anodised aluminium body, painted RAL7035
- Borosilicate glass cover protection
- Silicon rubber, VMQ
- Degree of protection: IP66 (Beacon)
- Operating temperature -30°C to +50°C

### CONTROLLER MECHANICAL FEATURES

- Enclosure material: mild steel, painted RAL 7035
- Degree of protection: IP65
- Dimension: 500x300x210mm
- Weight: 20kg
- Operating temperature: -20°C to +50°C

### APPLY TO

- Offshore heliport platforms, located on the nacelle and used to indicate to pilot the status (safe or unsafe) of the wind turbine before commencing of any hoist operation

### CERTIFICATIONS

- CE Marking

### COMPLIANCE

- CAP437 "Standard for offshore Helicopter donating Areas" Ch. 10 and Appendix J
- CAP437 "Policy and guidelines on wind turbines", Ch. 4

### ORDER CODE

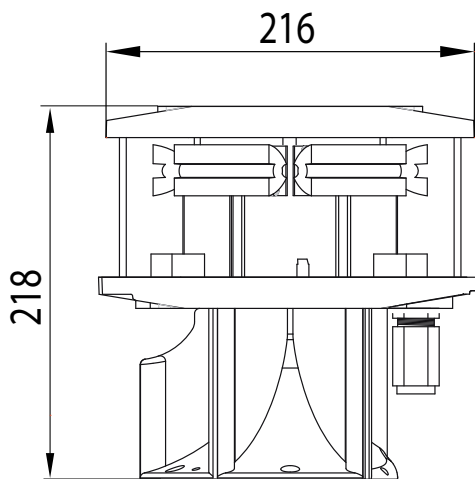
**HSL-LXS-CAP437-IP**

# HELIPORT LIGHTS

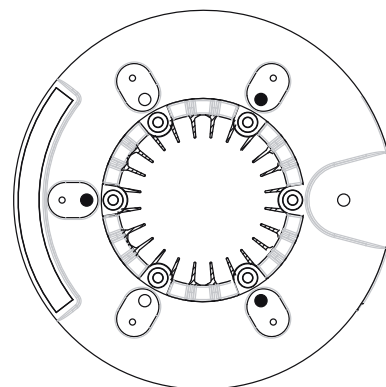
## HELIHOIST STATUS LIGHT TECHNICAL SPECIFICATION AND DRAWING

BEACON

FRONT VIEW



TOP VIEW

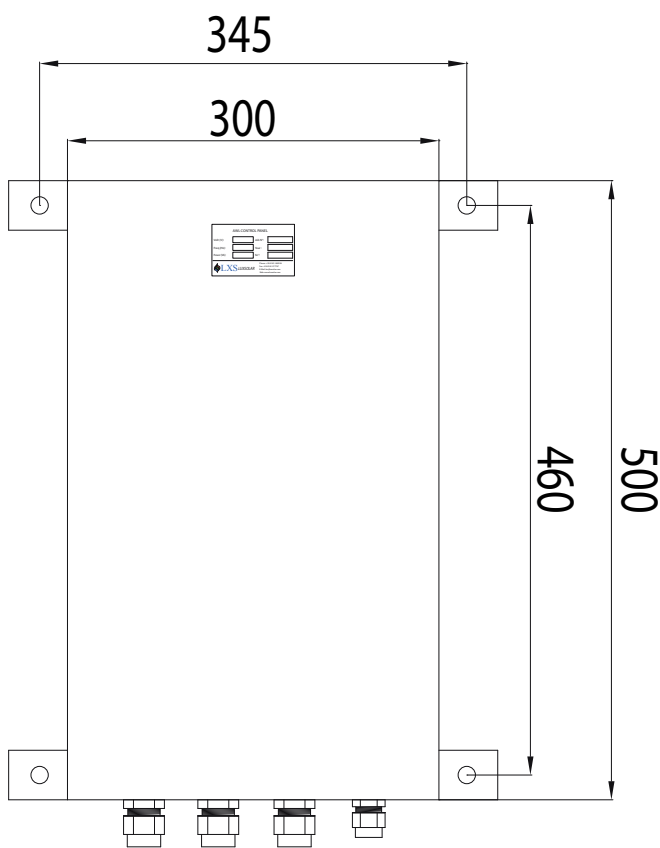


# HELIPORT LIGHTS

## HELIHOIST STATUS LIGHT TECHNICAL SPECIFICATION AND DRAWING

CONTROLLER

FRONT VIEW



TOP VIEW

