

HELIDECK LIGHTS

PERIMETER LIGHT Ex - TLOF SST-LXS-Ex-TLOF



- **Steady burning GREEN light**
- Long life time **>10 years** life expectancy
- **Low** consumption
- **Stabilised** light output
- **Easy** to install
- **No RF-radiations**
- **ATEX execution:**
 - II 2GD Ex db IIC T...Gb;
 - Ex tb IIIC T...Db
- **IECEx execution:**
 - Ex db IIC T... Gb;
 - Ex tb IIIC T...Db

NOTE: Electronic components to be installed in a dedicate enclosure

CERTIFICATION



COMPLIANCE



FEATURES



TYPICAL APPLICATION



HELIDECK LIGHTS

PERIMETER LIGHT Ex - TLOF TECHNICAL SPECIFICATION AND DRAWING

OPTICAL FEATURES

- Horizontal beam radiation 360°

Elevation (E)	Luminous Intensity
$20^\circ < E \leq 90^\circ$	3 cd
$13^\circ < E \leq 20^\circ$	8 cd
$10^\circ < E \leq 13^\circ$	15 cd
$5^\circ < E \leq 10^\circ$	30 cd
$2^\circ \leq E \leq 5^\circ$	15 cd

-180° Azimuth +180°

MECHANICAL FEATURES

- Natural finish SS316L body
- Borosilicate Glass Dome
- Degree of protection: IP66
- Operating temperature: -40°C to +70°C

ELECTRICAL FEATURES

- AC power supply 230VAC
- LED feeded at constant current

OPTIONS

- Power supply 24VDC

CERTIFICATIONS

- ATEX certificate
- IECEx certificate
- CE marking

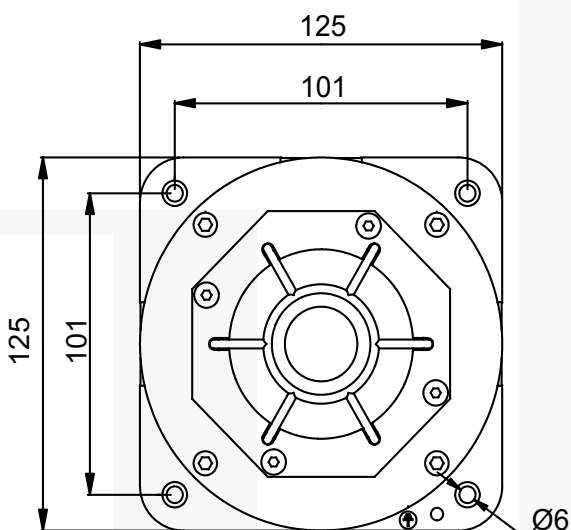
COMPLIANCE

- CAP437 "Standard for offshore Helicopter donating Areas", Chapter 4
- ICAO, Annex 14, Vol. II - Heliports - par. 5.3.7
- ICAO, Heliport Manual, Ed. III - par. 5.2.3.8

ORDER CODE

SST-LXS-Ex-TLOF

TOP VIEW



LATERAL VIEW

