

# HELIDECK LIGHTS

## REPEATER LIGHT Ex SST-LXS-EX-REP



- **Steady burning RED light**
- Long life time **>10 years** life expectancy
- **Low** consumption
- **Stabilised** light output
- **Easy** to install
- **No RF-radiations**
- **ATEX execution:**
  - II 2GD Ex db IIC T...Gb;
  - Ex tb IIIC T...Db
- **IECEX execution:**
  - Ex db IIC T... Gb;
  - Ex tb IIIC T...Db



### CERTIFICATION



### COMPLIANCE



### FEATURES



### TYPICAL APPLICATION



# HELIDECK LIGHTS

## REPEATER LIGHT Ex TECHNICAL SPECIFICATION AND DRAWING

### OPTICAL FEATURES

- Horizontal beam radiation 360°

Elevation	Azimuth	Intensity (min)
0° to 90°	-180° to +180°	min 16cd max 60cd

### MECHANICAL FEATURES

- Natural finish SS316L body
- Borosilicate Glass Dome
- Degree of protection: IP66
- Operating temperature: -40°C to +70°C

### ELECTRICAL FEATURES\*

- AC power supply 230VAC
- LED feeded at constant current

### OPTIONS

- Power supply 24VDC

### CERTIFICATIONS

- ATEX certificate
- IECEx certificate
- CE marking

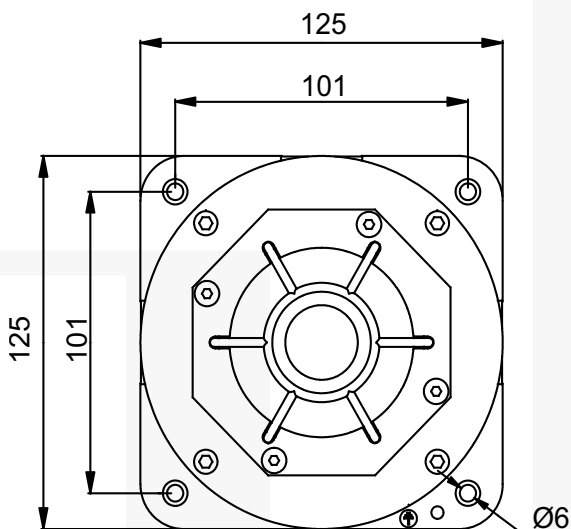
### COMPLIANCE

- CAP437 "Standard for offshore Helicopter denoting Areas"
- CAA Paper 2008/01 "Specification for an offshore helideck status light system"

### ORDER CODE

**SST-LXS-EX-REP**

TOP VIEW



LATERAL VIEW

